

STOCK
MOULDING
CATALOG
VOLUME 1

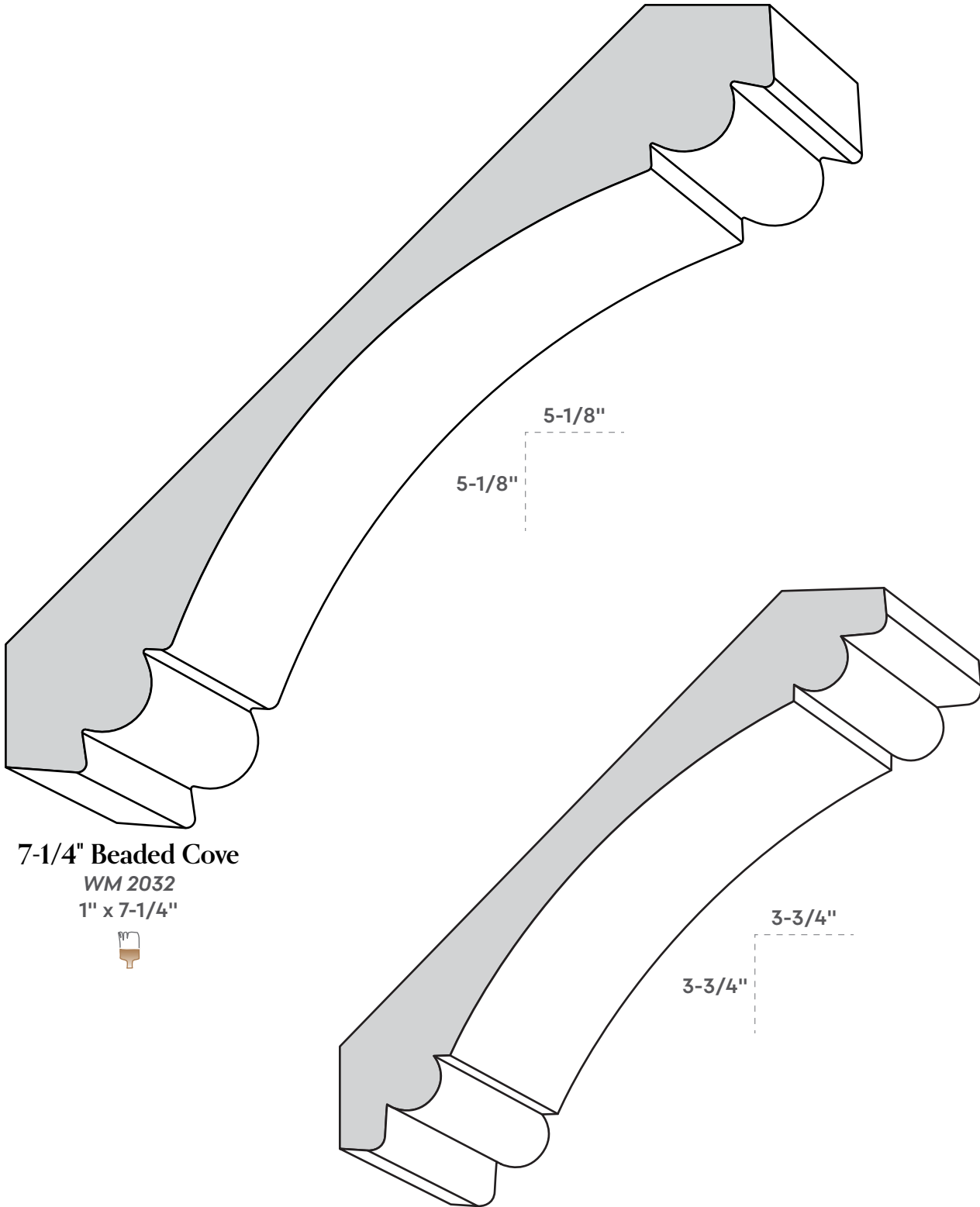


coastal millwork
SUPPLY CO



COASTALMILLWORKSUPPLY.COM

CROWN/COVE



7-1/4" Beaded Cove
WM 2032
1" x 7-1/4"



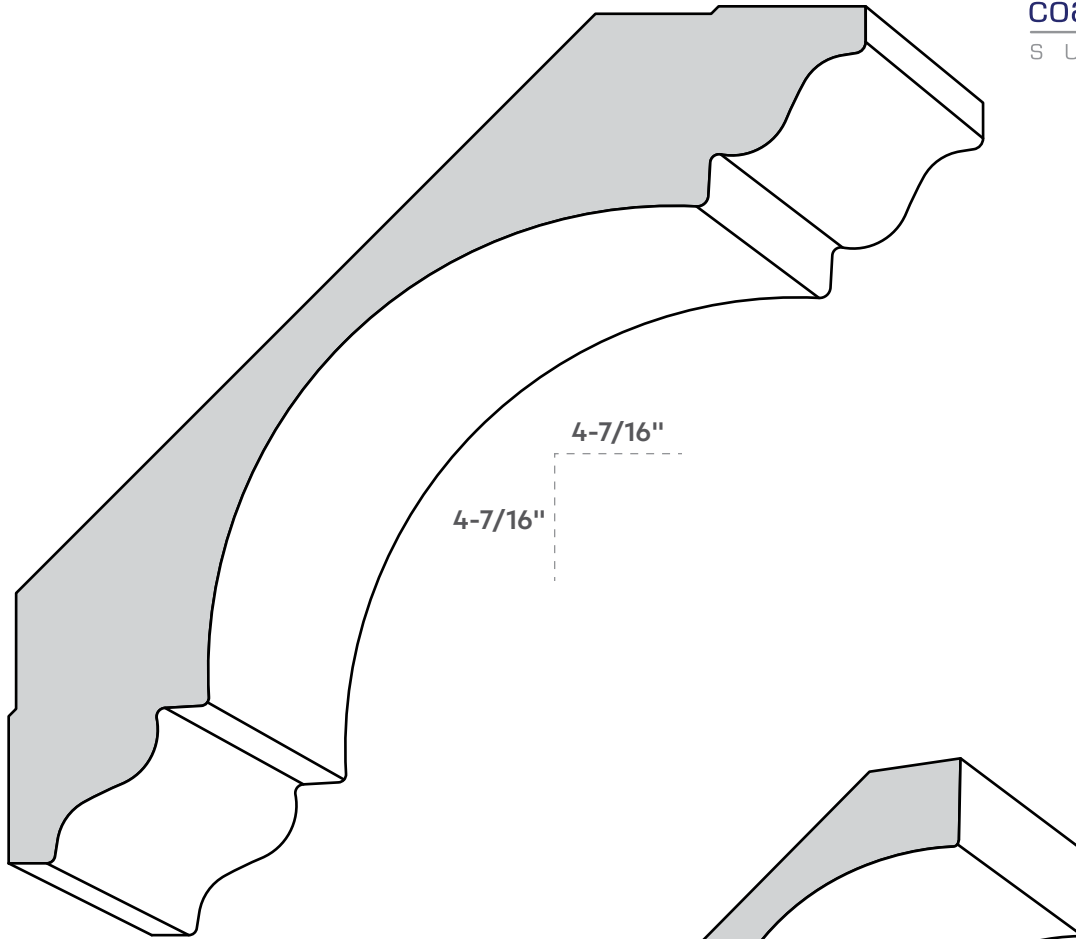
5-1/4" Beaded Cove
WM 349, EC50
11/16" x 5-1/4"



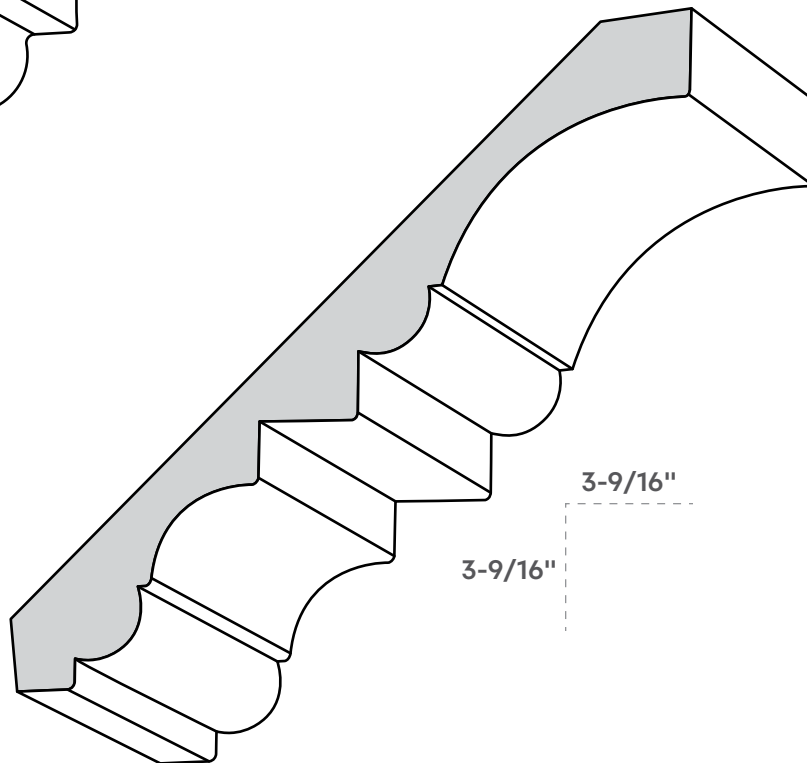
CROWN/COVE



coastal millwork
SUPPLY CO



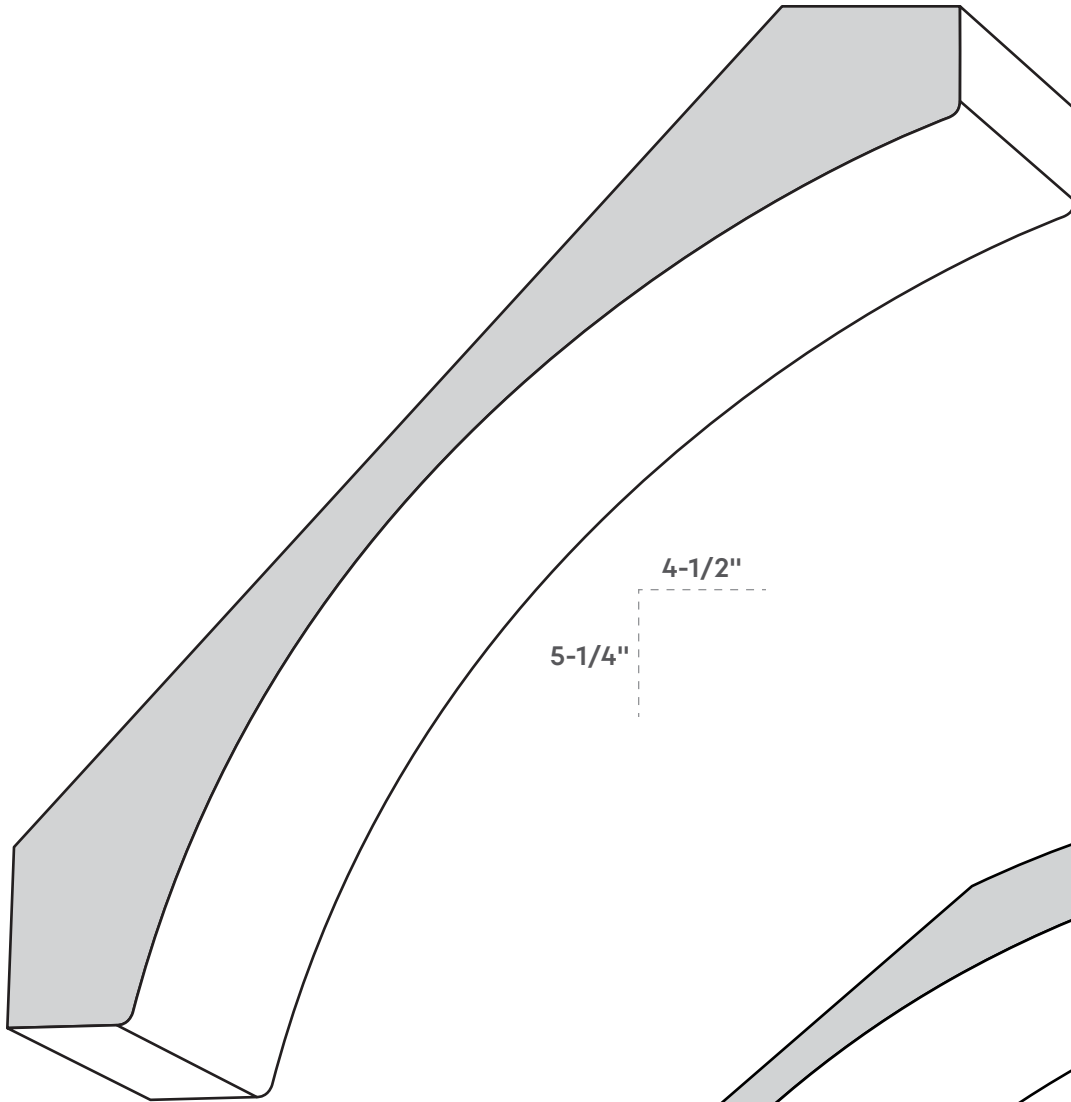
6-1/4" Cove
SM 500
1" x 6-5/16"



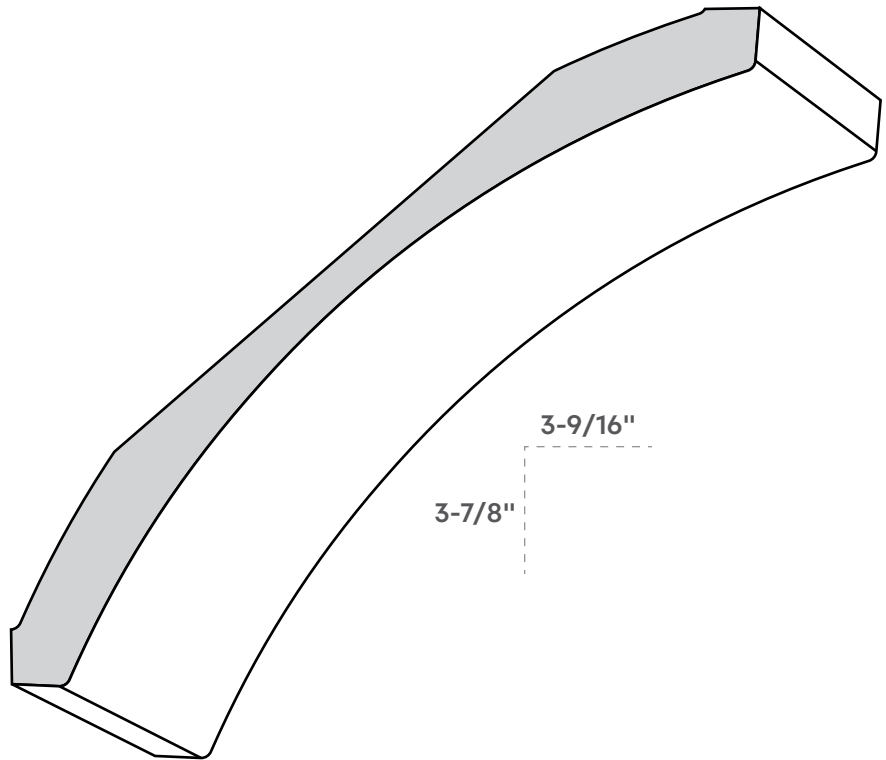
Curtis Crown
GM 689, 37M
9/16" x 5"



CROWN/COVE



7" Smooth Cove
1" x 7"



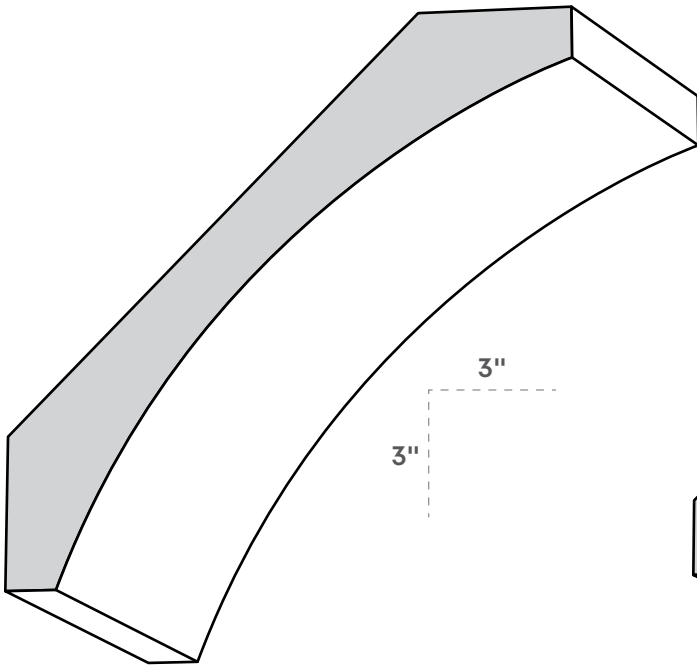
5-1/4" Smooth Cove
EC 80, 653
3/4 x 5-1/4



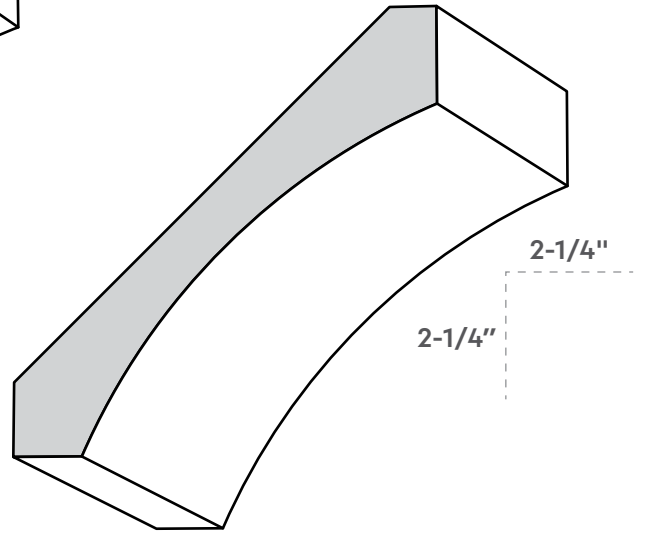
CROWN/COVE



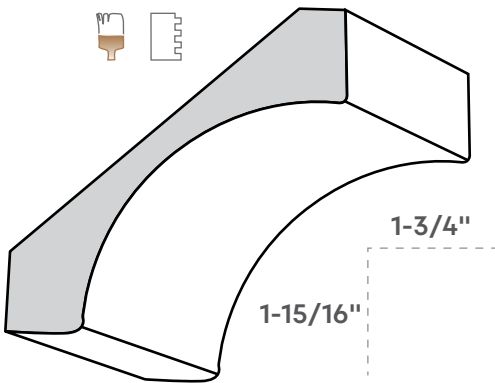
coastal millwork
SUPPLY CO



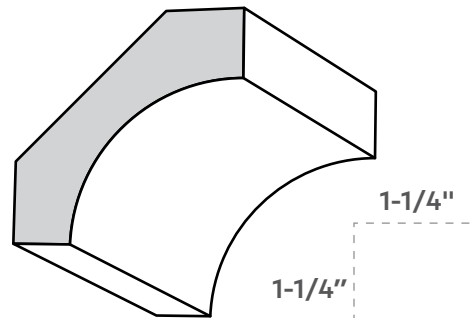
MCOV5
MCOV5
3/4" x 4-1/4"



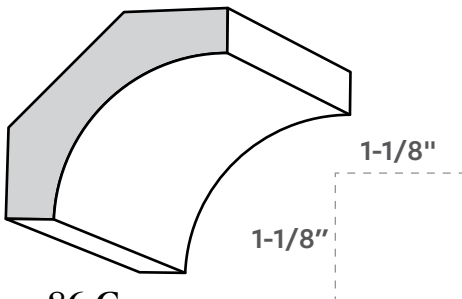
WM81
WM81
9/16" x 3-1/4"



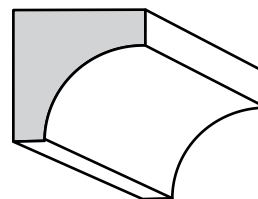
8026
8026
9/16" x 2-1/2"



WM85
WM 85
9/16" x 1-3/4"



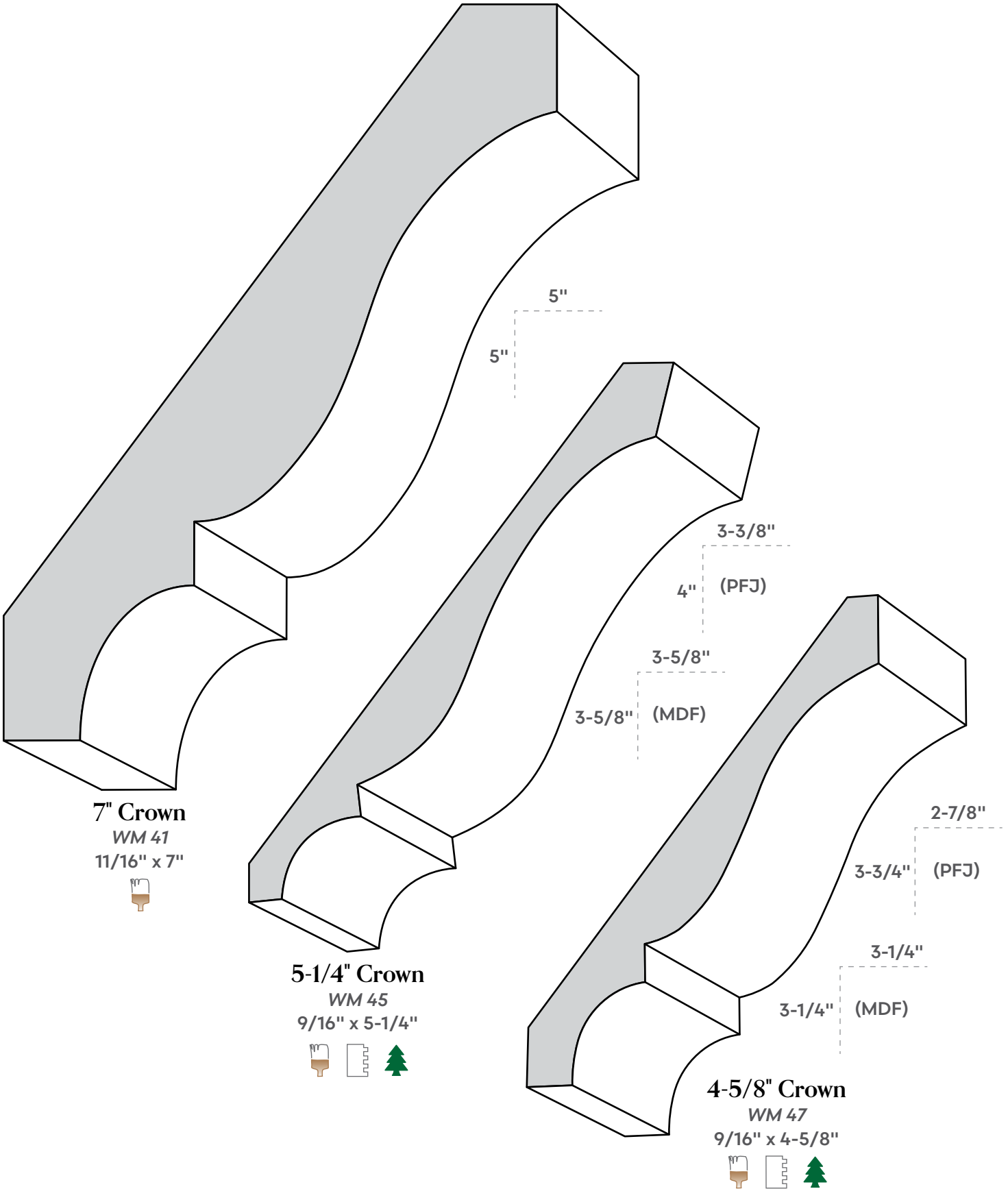
86 Cove
WM 86
9/16" x 1 5/8"



11/16" Cove
WM 100
11/16" x 11/16"



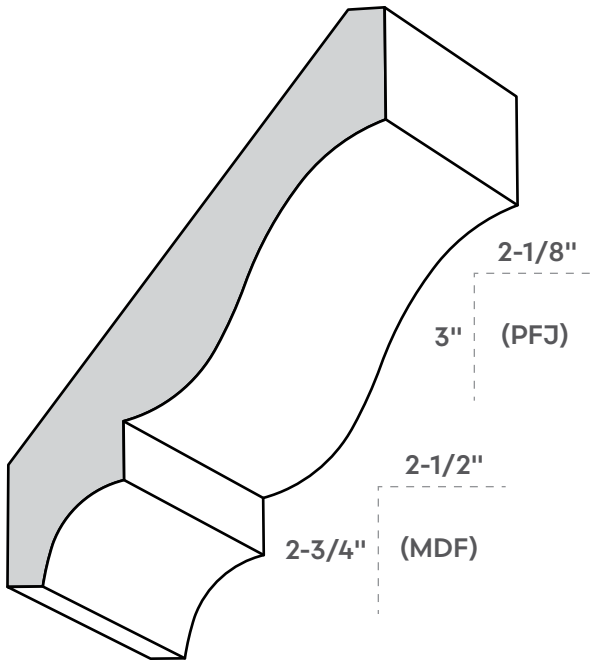
CROWN/COVE



CROWN/COVE



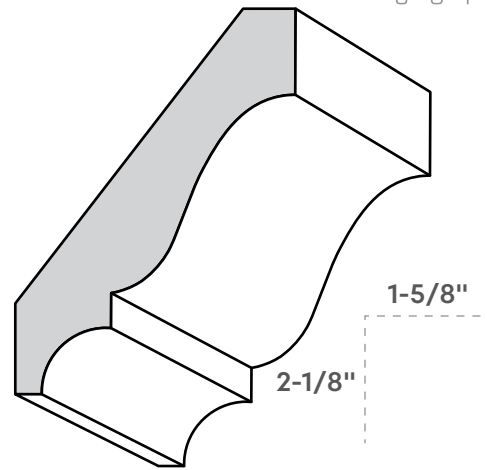
coastal millwork
SUPPLY CO



3-5/8" Crown

WM 49

9/16" x 3-5/8"



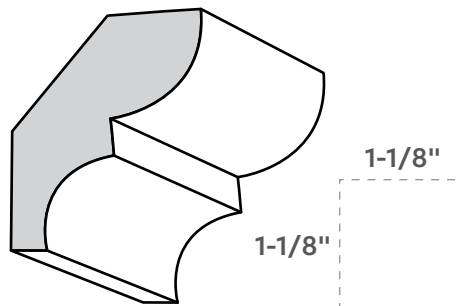
2-3/4" Crown

WM 52

9/16" x 2-3/4"



BED MOULD



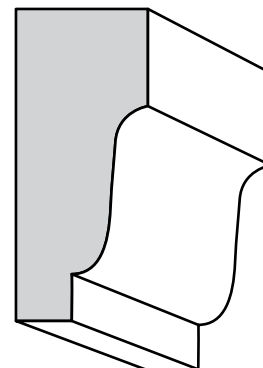
Bedmould 75

WM 75

9/16" x 1-5/8"



SHINGLE MOULD



Shingle Mould

WM210

5/8" x 1-5/8"



MDF



FINGER JOINT PRIMED



CLEAR PINE



SOUTHERN YELLOW PINE



POPLAR

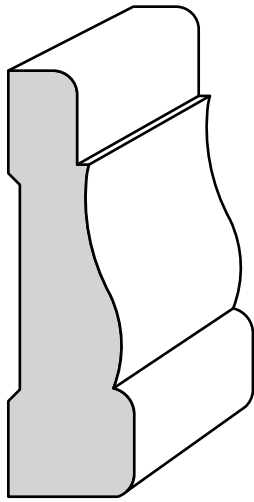


WHITE OAK



RED OAK

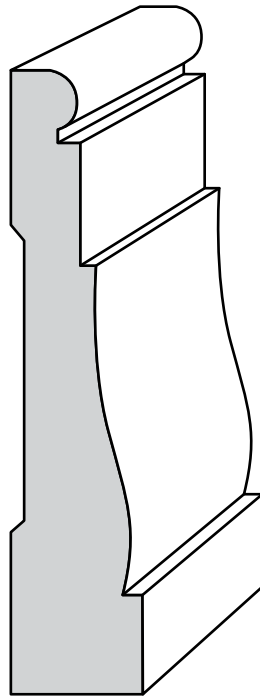
CASING



356 Casing

WM 356

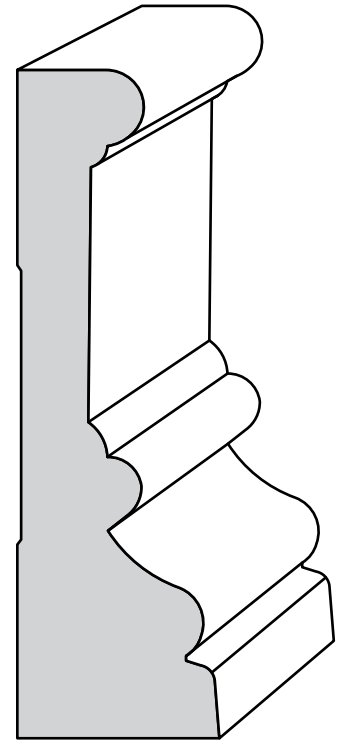
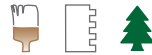
11/16" x 2-1/4"



445 Casing

WM 445

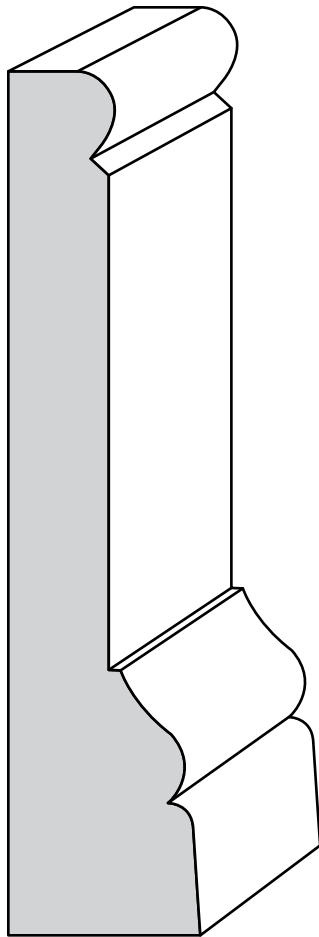
11/16" x 3-1/4"



RB3 Casing

RB3

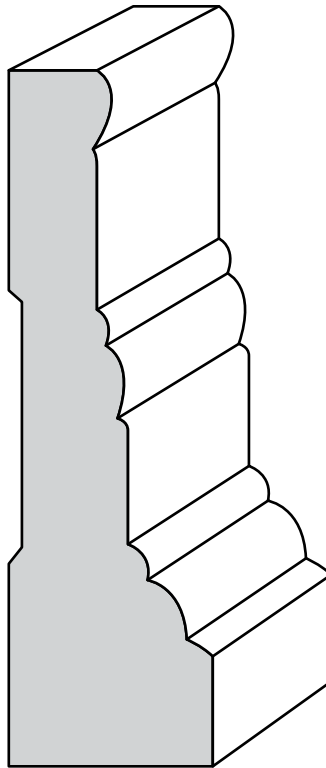
1-1/16" x 3-1/2"



CM2045 Casing

EC20

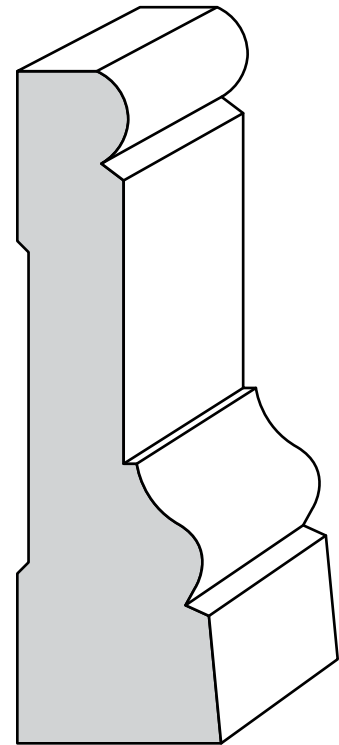
1" x 4-1/2"



470 Casing

WM 470

1-1/16" x 3-11/16"



Adams Casing

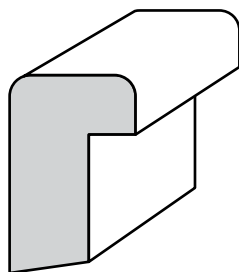
EC 20

1-1/16" x 3-1/2"





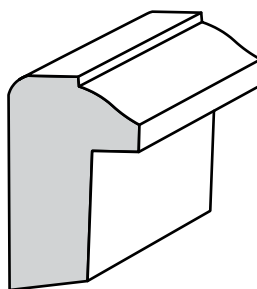
BACKBAND



280 Backband

WM 280

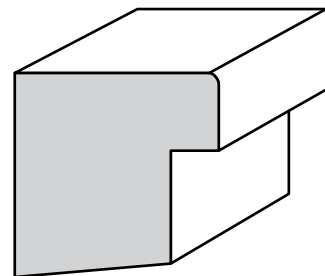
11/16" x 1-1/16"



281 Backband

WM 281

11/16" x 1-1/8"



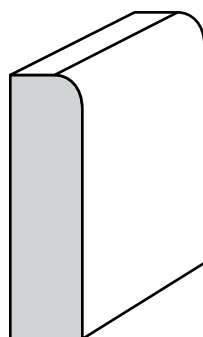
MCBB1 Backband

MCBB1

1-1/16" x 1-1/16"



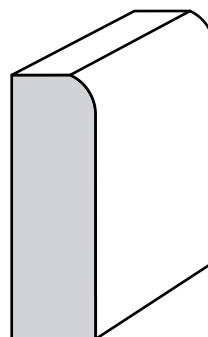
DOOR STOP



886 Door Stop

EC 886

3/8" x 1-3/8"



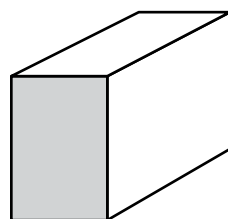
887 Door Stop

EC 887

7/16" x 1-3/8"



PARTING BEAD

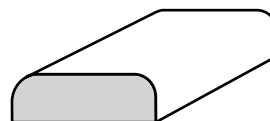


Parting Bead

1/2" x 3/4"



SCREEN BEAD



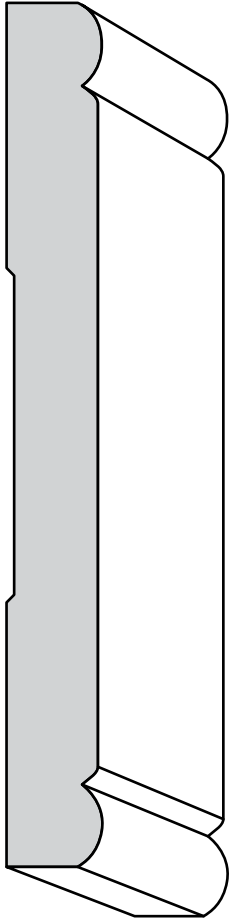
Screen Bead 142

WM 142

1/4" x 3/4"



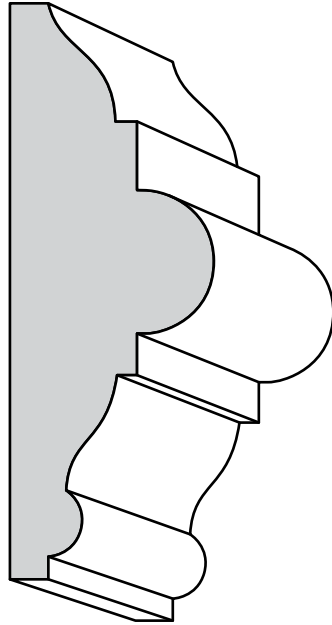
CHAIR RAIL



Chair Rail Backer

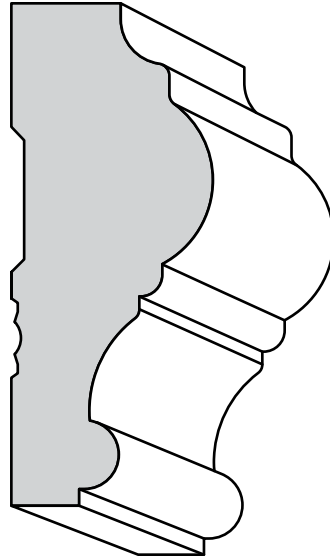
GM 64

1/2" x 4-1/2"



300 Chair Rail

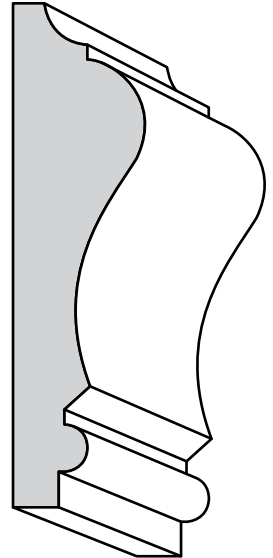
1-1/16" x 3"



169 Chair Rail

WM169, GM232

1-1/16" x 2-5/8"

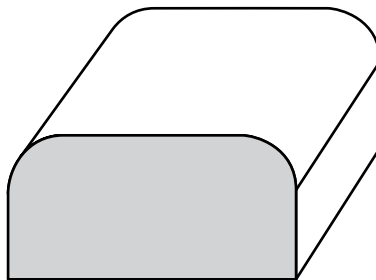


390 Chair Rail

11/16" x 2-5/8"



EASED EDGE



1" x 2" Eased Edge Poplar

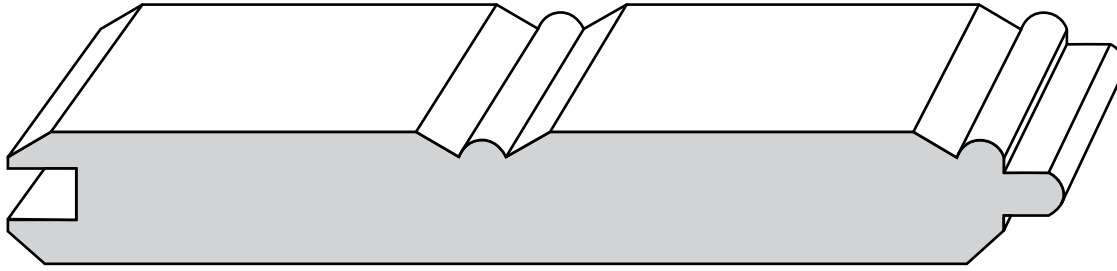
3/4" x 1-1/2"



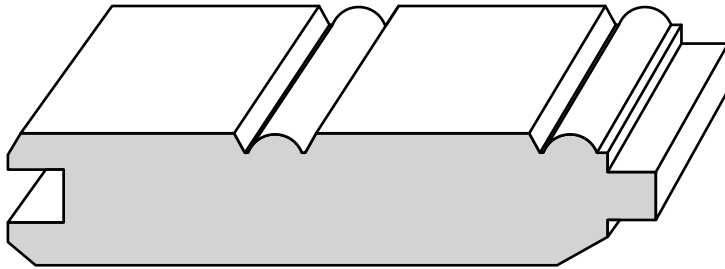
T&G V-GROOVE



coastal millwork
SUPPLY CO



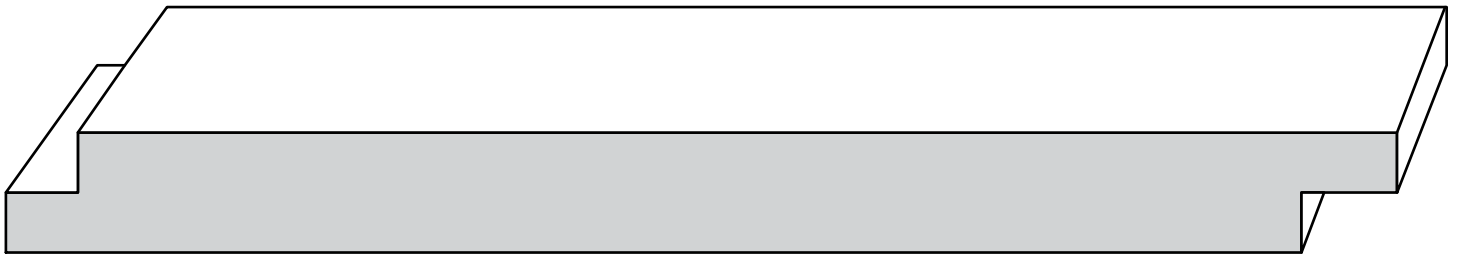
1" x 6" T&G V Groove
23/32" x 5-1/2"



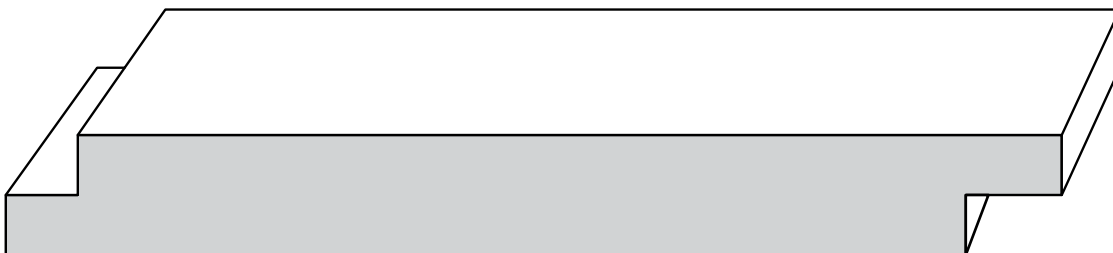
1" x 4" T&G V Groove
11/16" x 3-3/8"



PRIMED SHIPLAP




1" x 8" Primed Shiplap
5/8" x 7-1/4"



1" x 6" Primed Shiplap
5/8" x 5-1/2"



BASE

9-1/4" Speed Base
LGM 218
11/16" x 9-1/4" 

7-1/4" Speed Base
LGM 218
9/16" x 7-1/4"



5-1/4" Speed Base
LGM 218
9/16" x 5-1/4"



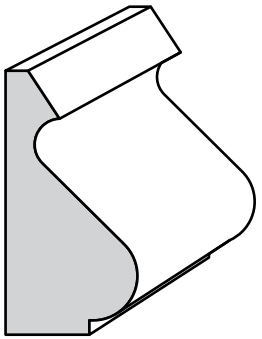
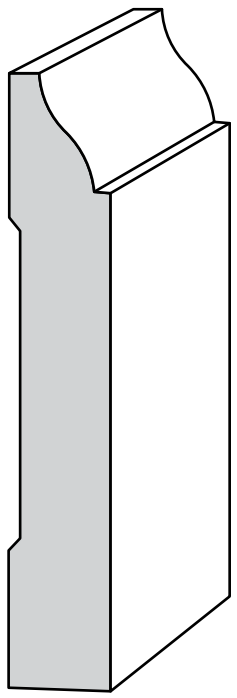
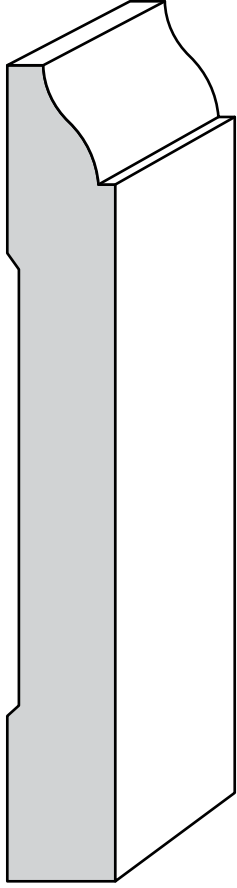
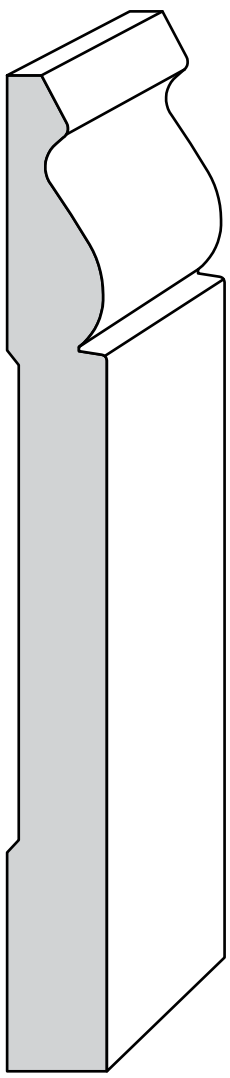
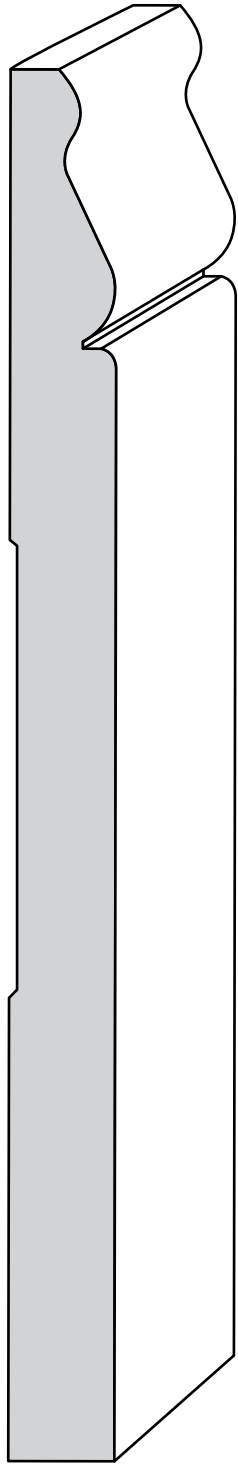
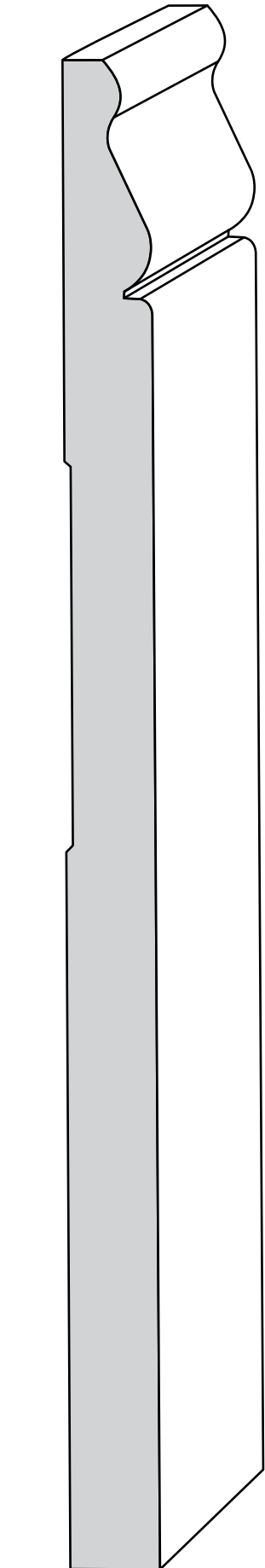
4-1/4" Base
WM 620
9/16" x 4-1/4"



3-1/4" Base
WM 623
9/16" x 3-1/4"



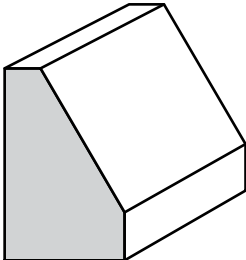
163 Basecap
WM 163
11/16" x 1-3/8"



SHOE

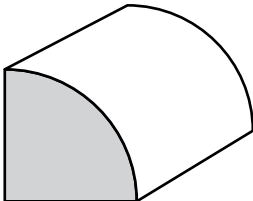


coastal millwork
SUPPLY CO



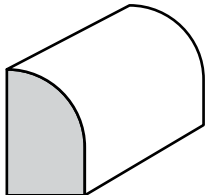
Modern Shoe MSC1

MCS1
5/8" x 1"



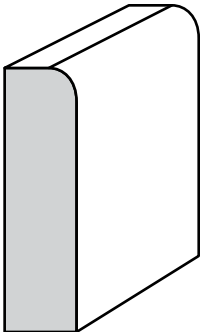
Quarter Round

WM 106
11/16" x 11/16"



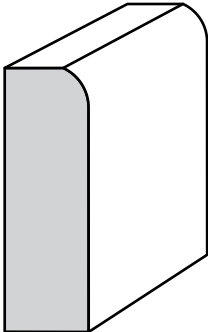
Shoe

WM 129
7/16" x 11/16"



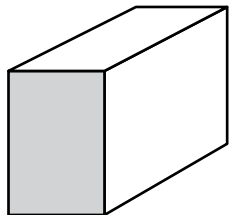
886 Door Stop

EC 886
3/8" x 1-3/8"



887 Door Stop

EC 887
7/16" x 1-3/8"



Parting Bead

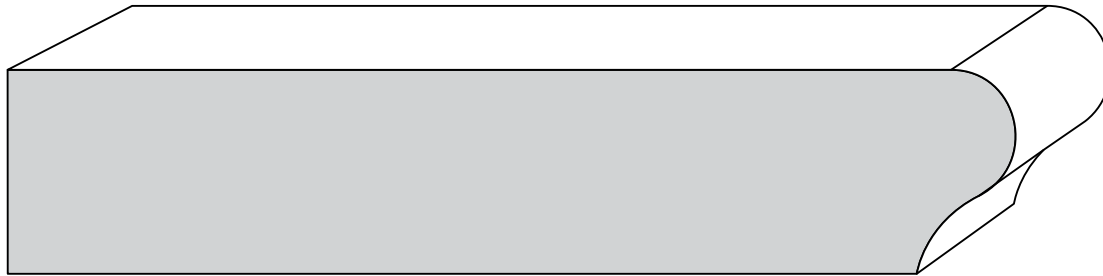
1/2" x 3/4"



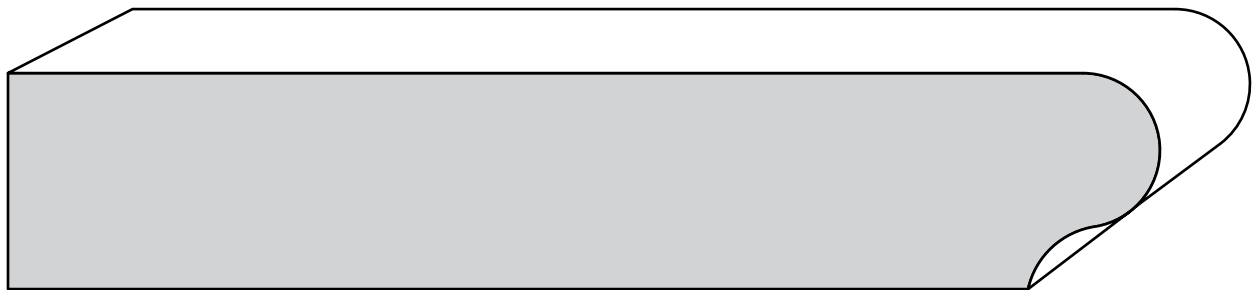
STOOL



FS312
FS 312
1-1/8" x 3-1/2"



1121 Stool
L-1021
1-1/16" x 5-1/4"



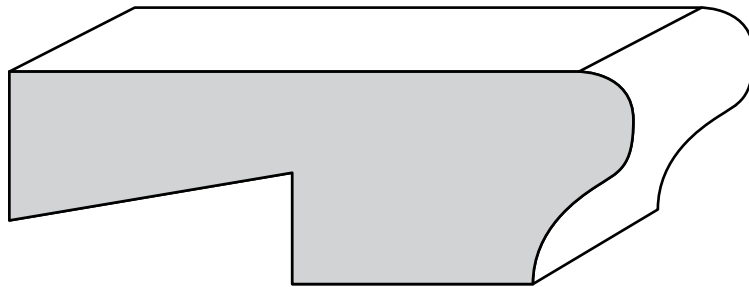
F1021
F 1021
1-1/8" x 6"



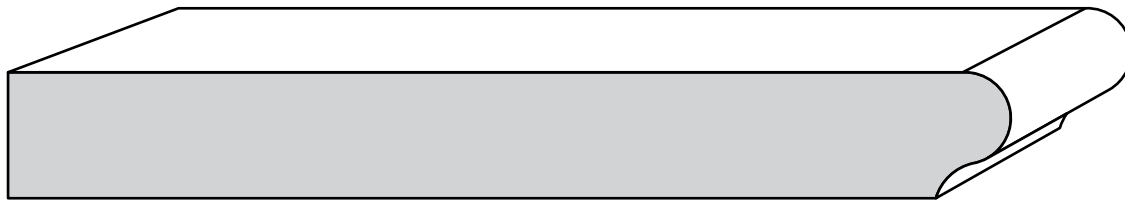
STOOL



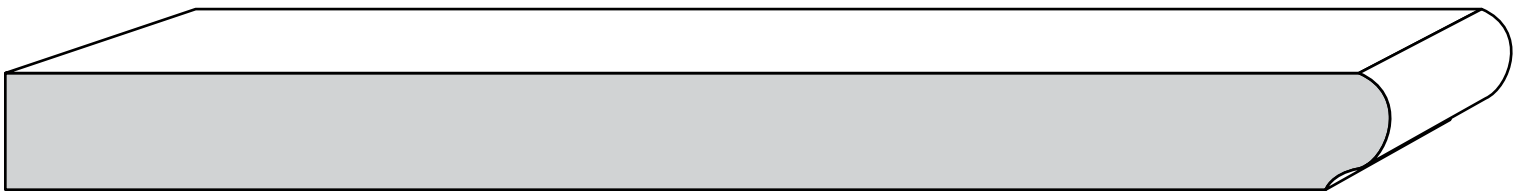
coastal millwork
SUPPLY CO



1163 Stool
WM 1163
1-1/16" x 3-1/4"



1021 Stool
LWM 1021
5-1/4" x 11/16"

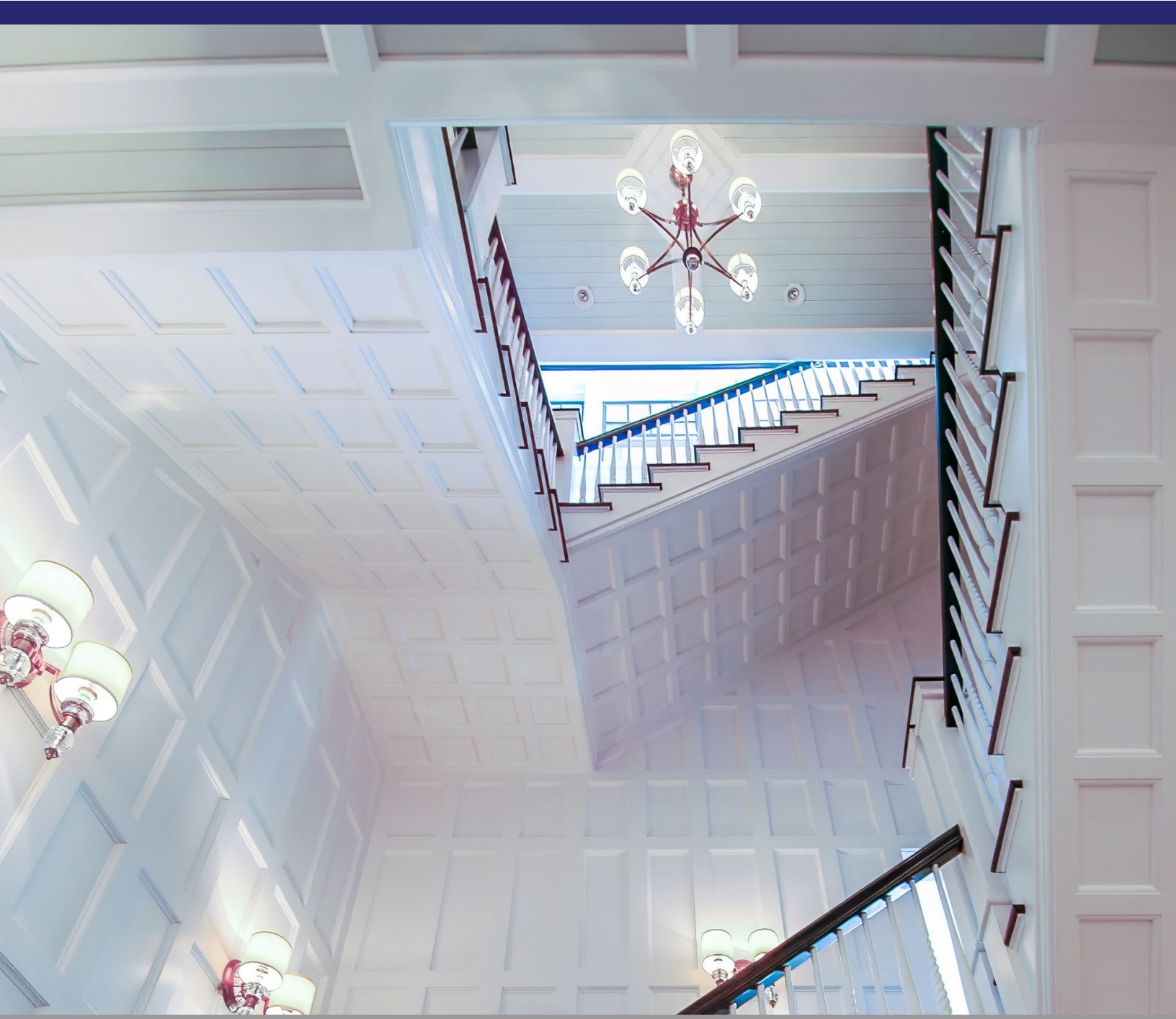


1022 Stool
LWM 1022
11/16" x 7-1/4"





coastal millwork
S U P P L Y C O



COASTAL MILLWORK SUPPLY CO.

1301 S 13th St, Wilmington, NC 28401

(910) 763-3300

COASTALMILLWORKSUPPLY.COM

